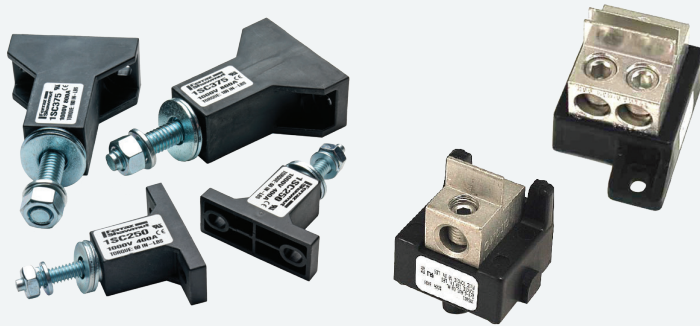


# 1SC/1MSC

## Modular Semiconductor Fuse Blocks

### FUSE BLOCKS & HOLDERS



Mersen 1SC and 1MSC semiconductor fuse blocks feature modular mounting that offers greater flexibility in adjusting to various fuse lengths. Both stud type and integral box connector versions are offered to allow for user preference of wire terminations. The integral box connector versions also provide for greater heat dissipation. Mounting hardware is supplied with the blocks.

### RATINGS:

#### 1SC

- **Volts:**  
1000VAC/DC (SCCR: 200kA)  
1500VAC/DC (SCCR: 100kA)
- **Amps:** 800A Maximum

#### 1MSC

- **Volts:** 600V
- **Amps:** 600A Maximum
- **SCCR:** 200kA

### APPROVALS:

- UL Recognized Component  
File for 1SC: E52283  
File for 1MSC: E35113

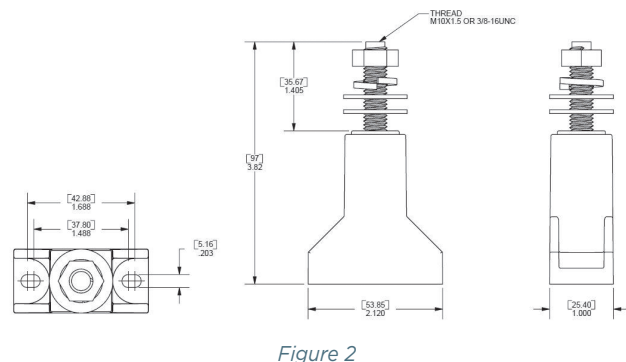
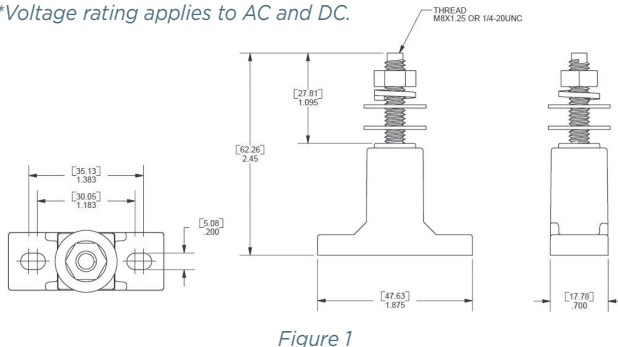


FB

### DIMENSIONS - 1SC

Catalog No.	Maximum Voltage Rating*	Ampere Rating	Pkg.	UR	Type	Connector		Hardware		Tightning Torque (lb.-in.)			*Fig.
						Wire Range	Bolt	Washer	Cable	Fuse	Mounting		
1SC250	1500	400	Pair	Yes	1/4" Stud	—	—	—	60	60	25	1	
1SC375	1500	800	Pair	Yes	3/8" Stud	—	—	—	190	190	50	2	
1SCM8	1500	400	Pair	Yes	M8 Stud	—	—	—	60	60	25	1	
1SCM10	1500	800	Pair	Yes	M10 Stud	—	—	—	190	190	50	2	

For 1SC, order quantity 1 to receive 1 pair.  
\*Voltage rating applies to AC and DC.



DIMENSIONS - 1MSC

Catalog No.	Maximum Voltage Rating*	Ampere Rating	Pkg.	UR	Type	Connector		Hardware		Tightning Torque (lb.-in.)			*Fig.
						Wire Range		Bolt	Washer	Cable	Fuse	Mounting	
1MSC101	600	100	Each	Yes	Al Box	Al/Cu 2/0 - #6		1/4"	0.655"	120	70	25	3
1MSC102	600	400	Each	Yes	Al Box	Al/Cu (2) 250kcmil - #6		1/4"	0.655"	275	120	25	4
1MSC103	600	400	Each	Yes	Al Box	Al/Cu (2) 250kcmil - #6		3/8"	0.900"	275	120	25	5
1MSC104	600	600	Each	Yes	Al Box	Al/Cu (2) 500kcmil - #6		3/8"	0.900"	375	170	25	6

For 1MSC, order quantity 2 to receive 1 pair.

\*Voltage rating applies to AC and DC.

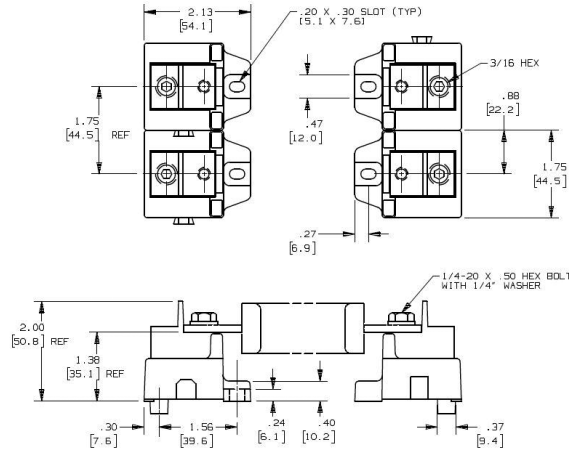


Figure 3

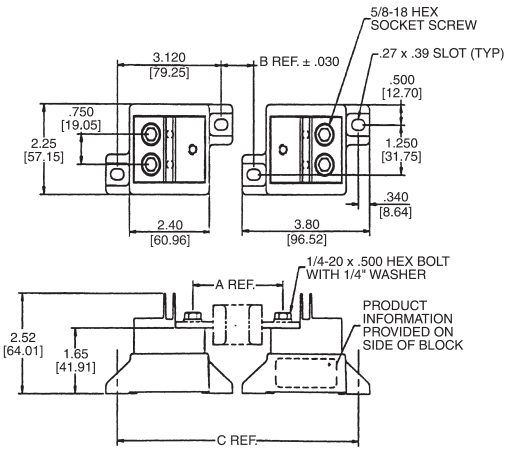


Figure 4

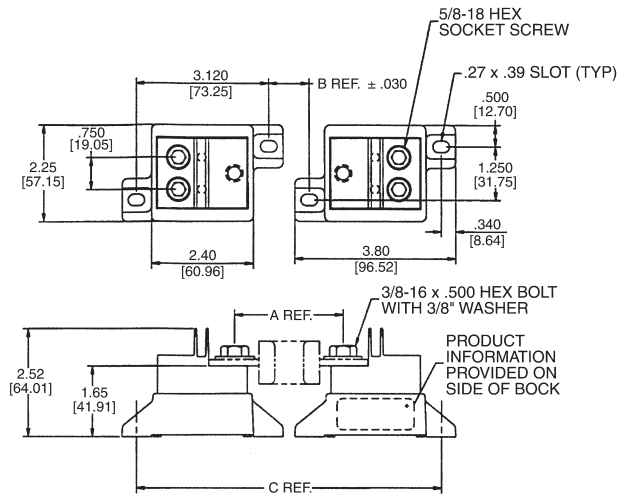


Figure 5

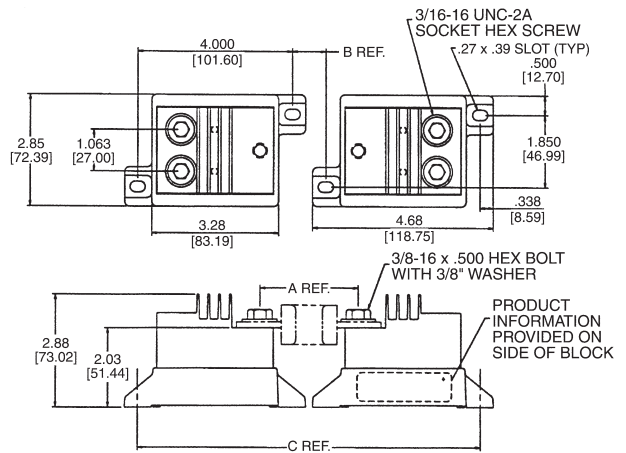


Figure 6

FB